

SY16C

PRODUCT SPECIFICATIONS

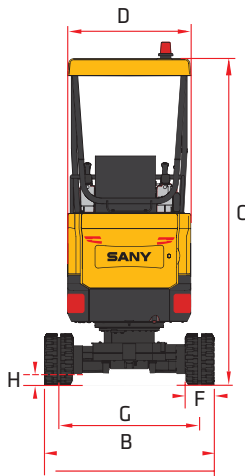
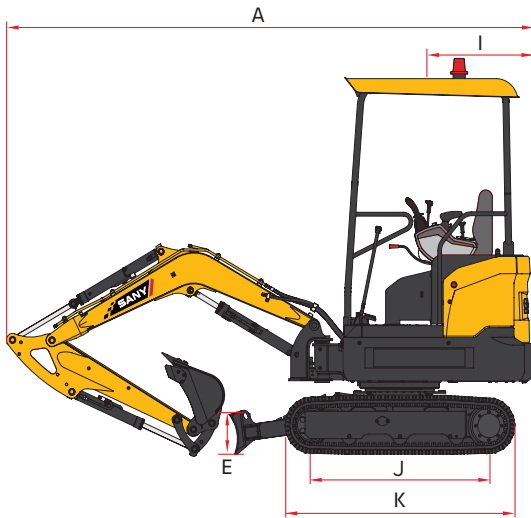


STANDARD FEATURES

- Minimal tail swing radius and independent boom swing allow operation in extremely confined spaces.
- The independently developed intelligent control system matches pump output to available engine power for greater hydraulic system efficiency and lower fuel consumption
- ➔ **Gross Power**
11.2 kW / 15.0 hp
- ➔ **Dig Depth**
2360 mm / 7' 9"
- ➔ **Operating Weight**
1825.0 kg / 4,023 lb
- ➔ **Bucket Breakout**
15.2 kN / 3,417 lbf

SY16C || PRODUCT SPECIFICATIONS

DIMENSIONS



DIMENSIONS

Boom Length	1810 mm	5' 11"
Stick (Arm) Length	1130 mm	3' 8"
A Transport Length	3575 mm	11' 9"
B Transport Width	980 / 1350 mm	3' 3" / 4' 5"
C Transport Height	2420 mm	7' 11"
D Upper Structure Width	980 mm	3' 3"
E Blade Height	270 mm	11"
F Track Width (standard shoe)	230 mm	9"
G Track Gauge	750 / 1120 mm	2' 6" / 3' 8"
H Ground Clearance (minimum)	180 mm	7"
I Tail Swing Radius	920 mm	3' 0"
J Track Length on Ground	1220 mm	4' 0"
K Track Length	1585 mm	5' 2"

Load sensing hydraulic system for **excellent efficiency and performance**

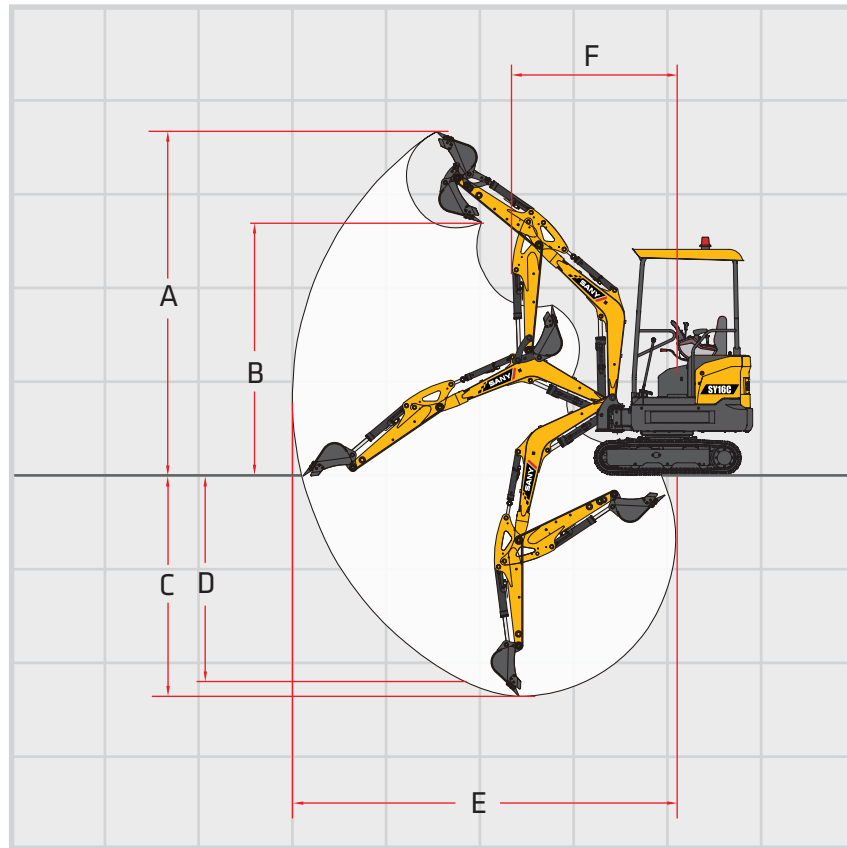
TECHNICAL SPECIFICATIONS

Operating Weight	1825.0 kPa	4023.4 psi
Ground Pressure	29.1 kPa	4.2 psi
Engine	Yanmar 3TNV74F	
Displacement	1.0 L	60.6 in ³
Gross Power	11.2 kW	15.0 HP
Hydraulics	Load Sensing with Pilot Control	
Main Hydraulic Pump	Axial Piston - Variable Displacement	
Operating Flow (maximum)	48.0 L/min	12.7 gal/min
Operating Pressure (maximum)	24.5 MPa	3553 psi
Travel Motor	Axial Piston	
Travel Pressure (maximum)	24.5 MPa	3553 psi
Travel Speeds (maximum)	2.1 / 3.7 km/hr	1.3 / 2.3 mph
Travel Effort (maximum)	15.6 kN	3,507 lbf
Grade Capability (maximum)	35°	
Swing Motor	Axial Piston	
Swing Pressure (maximum)	16.2 MPa	2350 psi
Swing Speed (maximum)	10 RPM	
Undercarriage (standard)	Belted Rubber Track	
Track Shoe Width (standard)	230 mm	9"
Track Rollers (per side)	3	
Carrier Rollers (per side)	-	

SERVICE REFILL CAPACITIES

Fuel Tank Capacity	20.0 L	5.3 gal
Hydraulic Tank Capacity	21.0 L	5.5 gal
Engine Oil Capacity	2.0 L	0.5 gal
Cooling System Capacity	3.8 L	1.0 gal

WORKING RANGE



WORKING RANGE

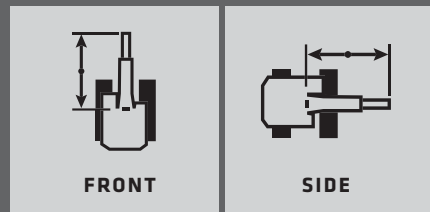
Boom Length	1810 mm	5' 11"
Stick (Arm) Length	1130 mm	3' 8"
A Maximum Digging Height	3665 mm	12' 0"
B Maximum Dumping Height	2635 mm	8' 8"
C Maximum Digging Depth	2360 mm	7' 9"
D Maximum Vertical Wall Digging Depth	2215 mm	7' 3"
E Maximum Reach at Ground Level	4000 mm	13' 1"
F Minimum Swing Radius	1655 mm	5' 5"

DIGGING PERFORMANCE

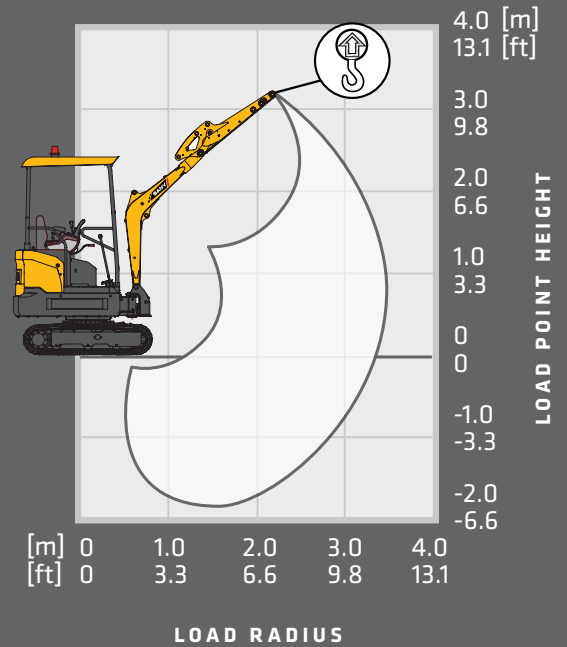
Boom Length	1810 mm	5' 11"
Stick (Arm) Length	1130 mm	3' 8"
Bucket Breakout Force (ISO)	15.2 kN	3,417 lbf
Stick (Arm) Digging Force (ISO)	9.2 kN	2,068 lbf

SY16C || LIFTING PERFORMANCE

Standard 1810 mm (5'11") Boom
 Standard 1130 mm (3'8") Arm
 Standard 230 mm (9") Track Shoes
 Maximum 1120 mm (3'8") Track Gauge
 No Bucket



Ratings are based on ISO 10567:2007.
 Lift capacity does not exceed 75% of tipping load with the machine on firm, level ground or 87% of hydraulic lifting capacity.



BLADE DOWN

LOAD RADIUS	1.5 m 4.9 ft		2.0 m 6.6 ft		2.5 m 8.2 ft		3.0 m 9.8 ft		MAX REACH	
LOAD POINT HEIGHT										
3.0 m 9.8 ft									285 kg* 627 lb*	285 kg* 627 lb*
2.0 m 6.6 ft					267 kg* 587 lb*	253 kg 557 lb	271 kg* 596 lb*	271 kg* 596 lb*	278 kg* 612 lb*	278 kg* 612 lb*
1.0 m 3.3 ft			483 kg* 1,063 lb*	483 kg* 1,063 lb*	371 kg* 816 lb*	370 kg 814 lb	316 kg* 695 lb*	306 kg 673 lb	288 kg* 634 lb*	244 kg 537 lb
0 m 0 ft	826 kg* 1,817 lb*	826 kg* 1,817 lb*	631 kg* 1,388 lb*	528 kg 1,162 lb	456 kg* 1,003 lb*	383 kg 843 lb	357 kg* 785 lb*	295 kg 649 lb	304 kg* 669 lb*	252 kg 554 lb
-1.0 m -3.3 ft	819 kg* 1,802 lb*	819 kg* 1,802 lb*	563 kg* 1,239 lb*	529 kg 1,164 lb	407 kg* 895 lb*	382 kg 840 lb			318 kg* 700 lb*	318 kg* 700 lb*

* Indicates load limited by hydraulic lifting capacity

BLADE UP

LOAD RADIUS	1.5 m 4.9 ft		2.0 m 6.6 ft		2.5 m 8.2 ft		3.0 m 9.8 ft		MAX REACH	
LOAD POINT HEIGHT										
3.0 m 9.8 ft									285 kg* 627 lb*	285 kg* 627 lb*
2.0 m 6.6 ft					253 kg 557 lb	253 kg 557 lb	271 kg* 596 lb*	271 kg* 596 lb*	270 kg 594 lb	278 kg* 612 lb*
1.0 m 3.3 ft			483 kg* 1,063 lb*	483 kg* 1,063 lb*	370 kg 814 lb	370 kg 814 lb	296 kg 651 lb	306 kg 673 lb	235 kg 517 lb	244 kg 537 lb
0 m 0 ft	811 kg 1,784 lb	826 kg* 1,817 lb*	514 kg 1,131 lb	528 kg 1,162 lb	371 kg 816 lb	383 kg 843 lb	285 kg 627 lb	295 kg 649 lb	243 kg 535 lb	252 kg 554 lb
-1.0 m -3.3 ft	819 kg* 1,802 lb*	819 kg* 1,802 lb*	514 kg 1,131 lb	529 kg 1,164 lb	370 kg 814 lb	382 kg 840 lb			318 kg* 700 lb*	318 kg* 700 lb*

* Indicates load limited by hydraulic lifting capacity