

SY265C

PRODUCT SPECIFICATIONS

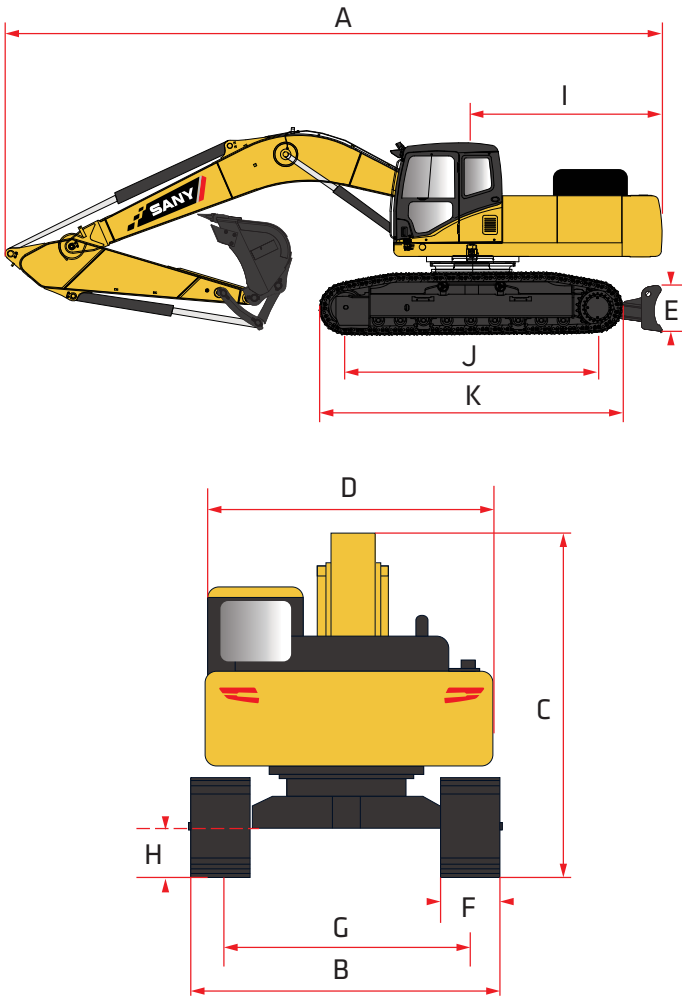


STANDARD FEATURES

- Powerful, robust and reliable powertrain & hydraulic components for long life in the most demanding applications
 - Optimized positive flow control hydraulics improve operating efficiency by up to 5% and fuel efficiency by up to 10%
 - A high-performance cooling system equipped with electronic control fan clutch provides clean, quiet operation
 - Selectable working modes match machine performance to the application, maximizing productivity and minimizing operating costs
- ➔ **Gross Power**
145 kW / 194.4 hp
 - ➔ **Dig Depth**
6706 mm / 22' 0"
 - ➔ **Operating Weight**
27000 kg / 59,525 lb
 - ➔ **Bucket Breakout**
187.0 kN / 42,039 lbf

SY265C || PRODUCT SPECIFICATIONS

DIMENSIONS



DIMENSIONS

Boom Length	5900 mm	19' 4"
Stick (Arm) Length	2950 mm	9' 8"
A Transport Length	10290 mm	33' 9"
B Transport Width	3390 mm	11' 1"
C Transport Height	3255 mm	10' 8"
D Upper Structure Width	3150 mm	10' 4"
E Blade Height	2957 mm	9' 8"
F Track Width (standard shoe)	800 mm	31"
G Track Gauge	2590 mm	8' 6"
H Ground Clearance (minimum)	470 mm	19"
I Tail Swing Radius	3105 mm	10' 2"
J Track Length on Ground	3830 mm	12' 7"
K Track Length	4636 mm	15' 3"

Powerful, robust and reliable powertrain and hydraulic components

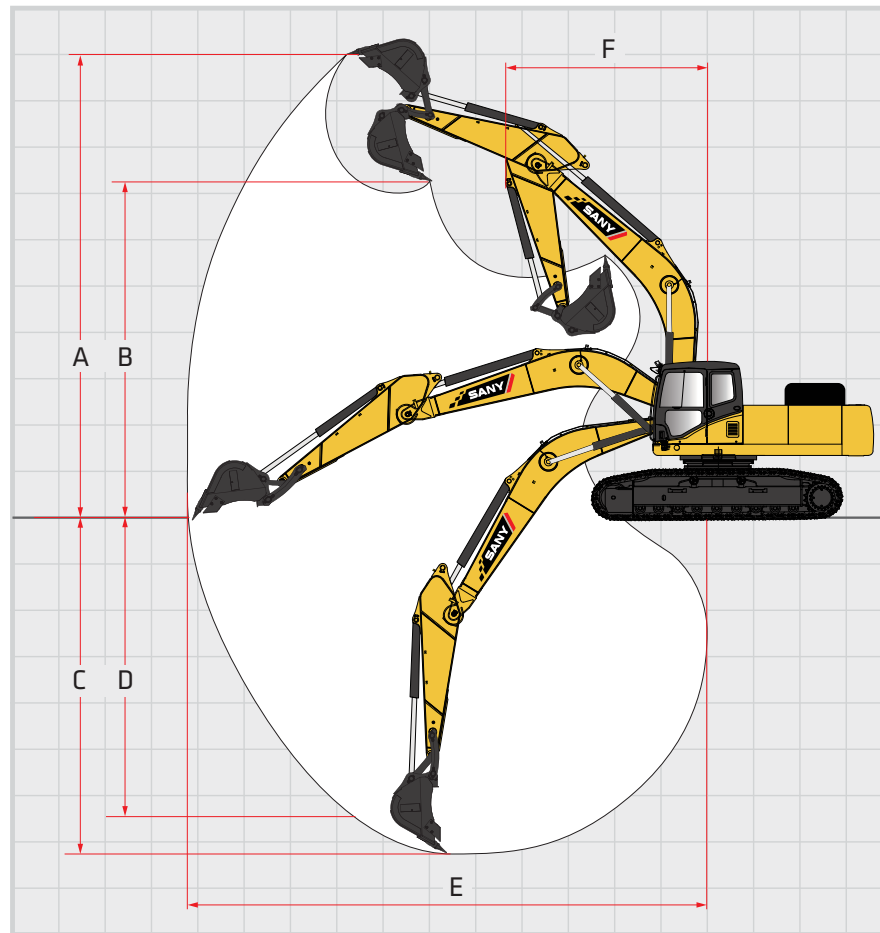
TECHNICAL SPECIFICATIONS

Operating Weight	27,000 kg	59,525 lb
Ground Pressure	39.3 kPa	5.7 psi
Engine	Cummins QSB 6.7 T4F	
Displacement	6.7 L	408.9 in ³
Gross Power	145 kW	194.4 HP
Hydraulics	Positive Flow Control with Pilot Control	
Main Hydraulic Pump	Axial Piston – Variable Displacement	
Operating Flow (maximum)	520.0 L/min	137.4 gal/min
Operating Pressure (maximum)	34.3 MPa	4975 psi
Power Boost Pressure (maximum)	37.3 MPa	5410 psi
Travel Motor	Axial Piston with Park Brake	
Travel Pressure (maximum)	34.3 MPa	4975 psi
Travel Speeds (maximum)	3.5 / 5.5 km/hr	2.2 / 3.4 mph
Travel Effort (maximum)	227.0 kN	51,032 lbf
Grade Capability (maximum)	35°	
Swing Motor	Axial Piston with Swing Brake	
Swing Pressure (maximum)	27.5 MPa	3989 psi
Swing Speed (maximum)	10.6 RPM	
Undercarriage (standard)	Steel Track	
Track Shoe width (standard)	800 mm	31"
Track Rollers (per side)	9	
Carrier Rollers (per side)	2	

SERVICE REFILL CAPACITIES

Fuel Tank Capacity	465.0 L	122.8 gal
DEF Tank Capacity	38.0 L	10.0 gal
Hydraulic Tank Capacity	277.0 L	73.2 gal
Engine Oil Capacity	24.7 L	6.5 gal
Cooling System Capacity	40.0 L	10.6 gal

WORKING RANGE



WORKING RANGE

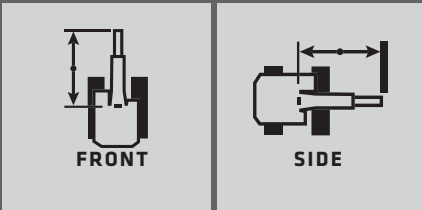
Boom Length	5900 mm	19' 4"
Stick (Arm) Length	2950 mm	9' 8"
A Maximum Digging Height	9740 mm	31' 11"
B Maximum Dumping Height	6715 mm	22' 0"
C Maximum Digging Depth	6706 mm	22' 0"
D Maximum Vertical Wall Digging Depth	5675 mm	18' 7"
E Maximum Reach at Ground Level	10225 mm	33' 7"
F Minimum Swing Radius	3800 mm	12' 6"

DIGGING PERFORMANCE

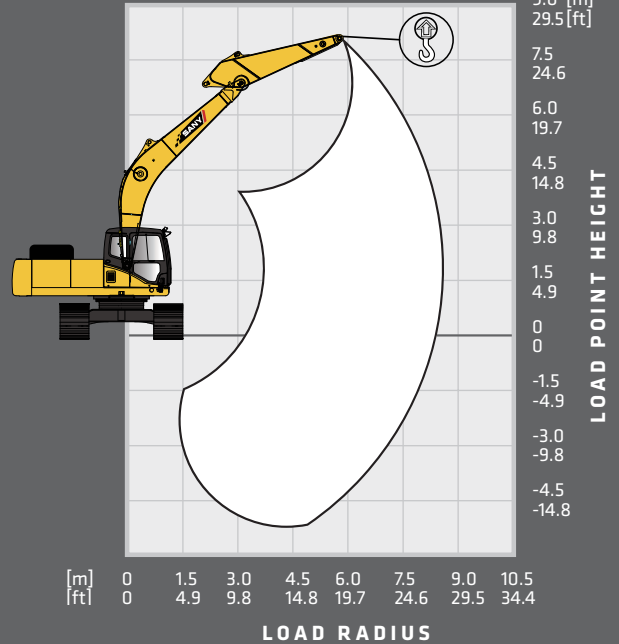
Boom Length	5900 mm	19' 4"
Stick (Arm) Length	2950 mm	9' 8"
Bucket Breakout Force (ISO)	187.0 kN	42,039 lbf
Stick (Arm) Digging Force (ISO)	130.0 kN	29,225 lbf

SY265C || LIFTING PERFORMANCE

Standard 5900 mm (19' 4") Boom
 Standard 2950 mm (9' 8") Arm
 Standard 800 mm (31") Track Shoes
 No Bucket



Ratings are based on ISO 10567:2007. Lift capacity does not exceed 75% of tipping load with the machine on firm, level ground or 87% of hydraulic lifting capacity.



BLADE DOWN

LOAD RADIUS	3.0 m 10.0 ft		4.5 m 15.0 ft		6.0 m 20.0 ft		7.5 m 25.0 ft		MAX REACH	
LOAD POINT HEIGHT										
7.5 m 25.0 ft					5981 kg* 13,186 lb*	5981 kg* 13,186 lb*			6000 kg* 13,228 lb*	6000 kg* 13,228 lb*
6.0 m 9.8 ft					6083 kg* 13,411 lb*	6083 kg* 13,411 lb*	5775 kg 12,732 lb	5673 kg 12,507 lb	5670 kg* 12,500 lb*	5640 kg* 12,434 lb*
4.5 m 15.0 ft					6242 kg* 13,761 lb*	6242 kg* 13,761 lb*	5838 kg 12,870 lb	5682 kg 12,527 lb	5665 kg 12,489 lb	5010 kg 11,045 lb
3.0 m 10.0 ft			9459 kg* 20,853 lb*	9459 kg* 20,853 lb*	7856 kg 17,319 lb	7502 kg 16,539 lb	6724 kg 14,824 lb	5385 kg 11,872 lb	6121 kg 13,494 lb	4621 kg 10,187 lb
1.5 m 5.0 ft			11713 kg 25,822 lb	10834 kg 23,885 lb	8870 kg 19,555 lb	7118 kg 15,692 lb	7037 kg 15,514 lb	5191 kg 11,444 lb	5949 kg 13,115 lb	4429 kg 9,764 lb
0 m 0 ft			12789 kg 28,195 lb	10477 kg 23,098 lb	9541 kg 21,034 lb	6859 kg 15,121 lb	6892 kg 15,194 lb	5049 kg 11,131 lb	6114 kg 13,479 lb	4527 kg 9,980 lb
-1.5 m -5.0 ft	11091 kg* 24,451 lb*	11091 kg* 24,451 lb*	13080 kg 28,836 lb	10367 kg 22,855 lb	9574 kg 21,107 lb	6879 kg 15,165 lb	6953 kg 15,329 lb	5108 kg 11,261 lb	6703 kg 14,777 lb	4982 kg 10,983 lb
-3.0 m -10.0 ft	17705 kg* 39,032 lb*	17705 kg* 39,032 lb*	12543 kg 27,652 lb	10457 kg 23,054 lb	9339 kg 20,589 lb	6924 kg 15,265 lb			7931 kg 17,485 lb	5867 kg 12,934 lb
-4.5 m -15.0 ft	15261 kg* 33,644 lb*	15261 kg* 33,644 lb*	10814 kg 23,841 lb	10766 kg 23,735 lb					8623 kg 19,010 lb	8065 kg 17,780 lb