

SY35U

PRODUCT SPECIFICATIONS



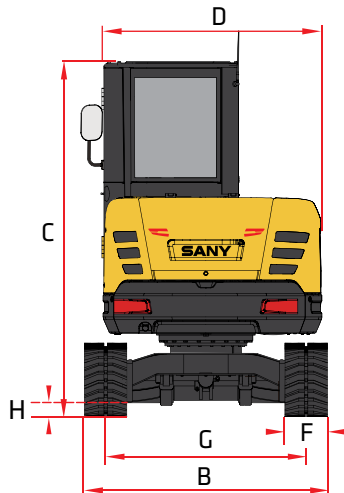
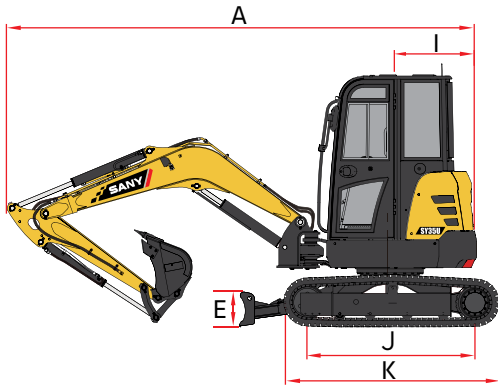
STANDARD FEATURES

- Zero tail swing radius and independent boom swing allow operation in extremely confined spaces
- Powerful, robust and reliable powertrain and hydraulic components for long life in the most demanding applications
- Optimized load sensing hydraulics improve operating efficiency by up to 5% and fuel efficiency by up to 10%

- ➔ **Gross Power**
18.2 kW / 24.4 hp
- ➔ **Dig Depth**
3105 mm / 10' 2"
- ➔ **Operating Weight**
3855 kg / 8,499 lb (Cab)
3795kg / 8,367 lb (Canopy)
- ➔ **Bucket Breakout**
30.4 kN / 6,834 lbf

SY35U || PRODUCT SPECIFICATIONS

DIMENSIONS



DIMENSIONS

Boom Length	2540 mm	8' 4"
Stick (Arm) Length	1400 mm	4' 7"
A Transport Length	4915 mm	16' 2"
B Transport Width	1720 mm	5' 8"
C Transport Height	2515 mm	8' 3"
D Upper Structure Width	1550 mm	5' 1"
E Blade Height	350 mm	14"
F Track Width (standard shoe)	300 mm	12"
G Track Gauge	1420 mm	4' 8"
H Ground Clearance (minimum)	295 mm	12"
I Tail Swing Radius	860 mm	2' 10"
J Track Length on Ground	1670 mm	5' 6"
K Track Length	2155 mm	7' 1"

Powerful, robust and reliable powertrain and hydraulic components

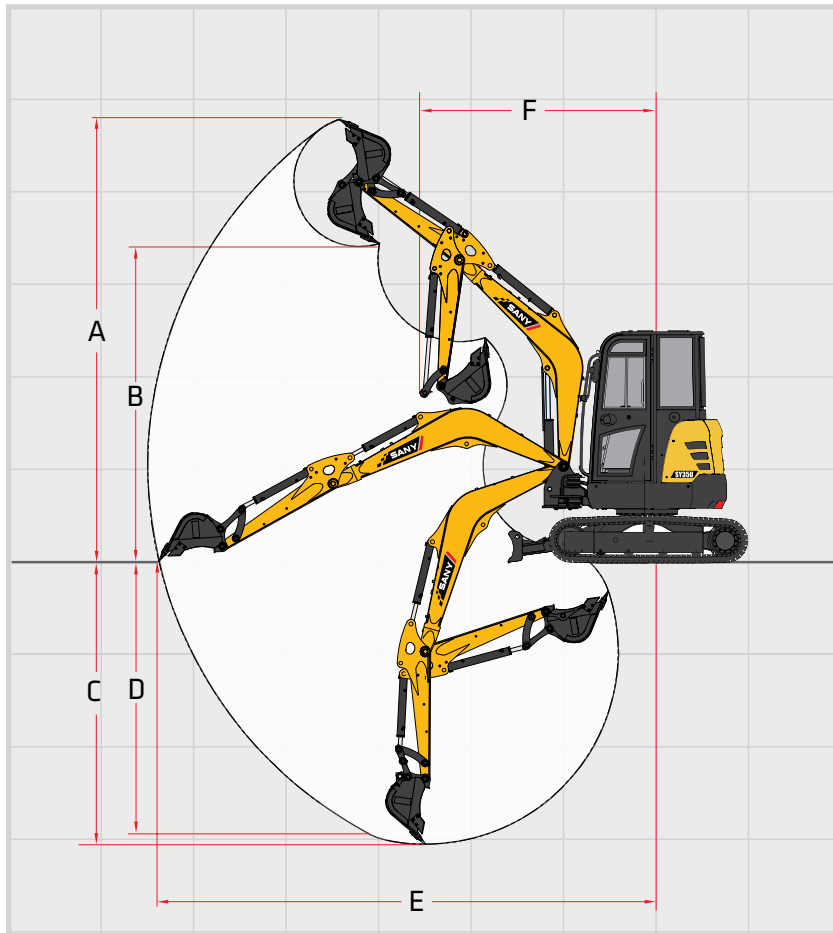
TECHNICAL SPECIFICATIONS

Operating Weight (Cab)	3855 kg	8,499 lb
Operating Weight (Canopy)	3795 kg	8,367 lb
Ground Pressure	32.0 kPa	4.6 psi
Engine	Yanmar 3TNV88	
Displacement	1.6 L	97.6 in ³
Gross Power	18.2 kW	24.4 HP
Hydraulics	Load Sensing with Pilot Control	
Main Hydraulic Pump	Axial Piston – Variable Displacement	
Operating Flow (maximum)	88.0 L/min	23.2 gal/min
Operating Pressure (maximum)	24.5 MPa	3553 psi
Travel Motor	Axial Piston with Park Brake	
Travel Pressure (maximum)	24.5 MPa	3553 psi
Travel Speeds (maximum)	2.4 / 4.4 km/hr	1.5 / 2.7 mph
Travel Effort (maximum)	36.8 kN	8,273 lbf
Grade Capability (maximum)	35°	
Swing Motor	Axial Piston with Swing Brake	
Swing Pressure (maximum)	20.6 MPa	2988 psi
Swing Speed (maximum)	9 RPM	
Undercarriage (standard)	Belted Rubber Track	
Track Shoe width (standard)	300 mm	12"
Track Rollers (per side)	4	
Carrier Rollers (per side)	1	

SERVICE REFILL CAPACITIES

Fuel Tank Capacity	40.0 L	10.6 gal
Hydraulic Tank Capacity	40.0 L	10.6 gal
Engine Oil Capacity	6.7 L	1.8 gal
Cooling System Capacity	6.5 L	1.7 gal

WORKING RANGE



WORKING RANGE

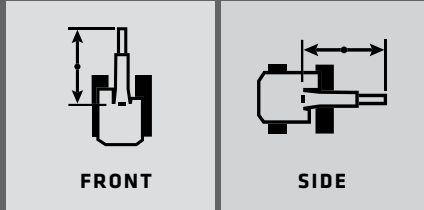
Boom Length	2540 mm	8' 4"
Stick (Arm) Length	1400 mm	4' 7"
A Maximum Digging Height	4855 mm	15' 11"
B Maximum Dumping Height	3460 mm	11' 4"
C Maximum Digging Depth	3105 mm	10' 2"
D Maximum Vertical Wall Digging Depth	2700 mm	8' 10"
E Maximum Reach at Ground Level	5465 mm	17' 11"
F Minimum Swing Radius	2475 mm	8' 1"

DIGGING PERFORMANCE

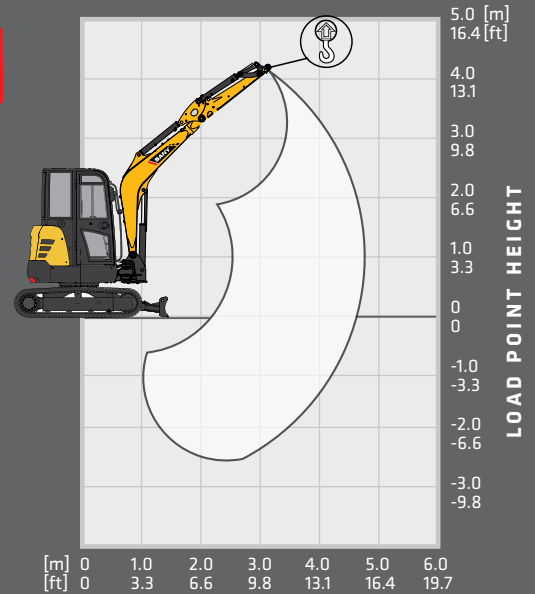
Boom Length	2540 mm	8' 4"
Stick (Arm) Length	1400 mm	4' 7"
Bucket Breakout Force (ISO)	30.4 kN	6,834 lbf
Stick (Arm) Digging Force (ISO)	18.2 kN	4,092 lbf

SY35U || LIFTING PERFORMANCE

Standard 2540 mm (8' 4") Boom
 Standard 1400 mm (4' 7") Arm
 Standard 300 mm (12") Track Shoes
 No Bucket



Ratings are based on ISO 10567.
 Lift capacity does not exceed 75% of tipping load with the machine on firm, level ground or 87% of hydraulic lifting capacity.



BLADE DOWN

LOAD RADIUS	2.0 m 6.6 ft		3.0 m 9.8 ft		4.0 m 13.1 ft		MAX REACH	
LOAD POINT HEIGHT								
4.0 m 13.1 ft							803 kg* 1,767 lb*	660 kg 1,452 lb
3.0 m 9.8 ft					818 kg* 1,800 lb*	503 kg 1,107 lb	688 kg* 1,514 lb*	458 kg 1,008 lb
2.0 m 6.6 ft			1000 kg* 2,200 lb*	762 kg 1,676 lb	855 kg* 1,881 lb*	491 kg 1,080 lb	667 kg* 1,476 lb*	386 kg 849 lb
1.0 m 3.3 ft			1447 kg* 3,183 lb*	703 kg 1,547 lb	1036 kg* 2,279 lb*	468 kg 1,030 lb	695 kg* 1,529 lb*	364 kg 801 lb
0 m 0 ft			1650 kg* 3,630 lb*	669 kg 1,472 lb	1137 kg* 2,501 lb*	452 kg 994 lb	787 kg* 1,731 lb*	371 kg 816 lb
-1.0 m -3.3 ft	2372 kg* 5,218 lb*	1245 kg 2,745 lb	1631 kg* 3,588 lb*	665 kg 1,463 lb	1082 kg* 2,380 lb*	451 kg 992 lb	999 kg* 2,198 lb*	431 kg 948 lb
-2.0 m -6.6 ft	2057 kg* 4,525 lb*	1287 kg 2,837 lb	1217 kg* 2,677 lb*	691 kg 1,520 lb			1023 kg* 2,255 lb*	620 kg 1,364 lb

* Indicates load limited by hydraulic lifting capacity

BLADE UP

LOAD RADIUS	2.0 m 6.6 ft		3.0 m 9.8 ft		4.0 m 13.1 ft		MAX REACH	
LOAD POINT HEIGHT								
4.0 m 13.1 ft							704 kg 1,549 lb	660 kg 1,452 lb
3.0 m 9.8 ft					534 kg 1,175 lb	503 kg 1,107 lb	486 kg 1,069 lb	458 kg 1,008 lb
2.0 m 6.6 ft			817 kg 1,797 lb	762 kg 1,676 lb	522 kg 1,148 lb	491 kg 1,080 lb	411 kg 904 lb	386 kg 849 lb
1.0 m 3.3 ft			755 kg 1,661 lb	703 kg 1,547 lb	499 kg 1,098 lb	468 kg 1,030 lb	387 kg 851 lb	364 kg 801 lb
0 m 0 ft			720 kg 1,584 lb	669 kg 1,472 lb	482 kg 1,060 lb	452 kg 994 lb	398 kg 876 lb	371 kg 816 lb
-1.0 m -3.3 ft	1377 kg 3,029 lb	1245 kg 2,739 lb	717 kg 1577 lb	665 kg 1,463 lb	482 kg 1,060 lb	451 kg 992 lb	459 kg 1,010 lb	431 kg 950 lb
-2.0 m -6.6 ft	1423 kg 3,131 lb	1287 kg 2,831 lb	743 kg 1,635 lb	691 kg 1,520 lb			665 kg 1,463 lb	620 kg 1,364 lb

* Indicates load limited by hydraulic lifting capacity