

SY500H

PRODUCT SPECIFICATIONS



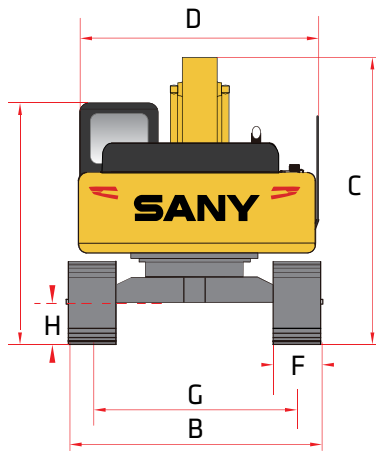
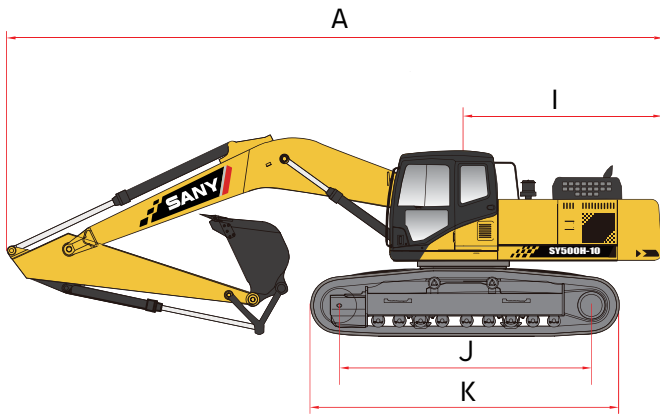
STANDARD FEATURES

- Powerful, robust and reliable powertrain & hydraulic components for long life in the most demanding applications
- Optimized positive flow control hydraulics improve operating efficiency by up to 5% and fuel efficiency by up to 10%
- A high-performance cooling system equipped with electronic control fan clutch provide clean, quiet operation
- Selectable working modes match machine performance to the application, maximizing productivity and minimizing operating costs

- ➔ **Gross Power**
298.0 kW / 399.6 hp
- ➔ **Dig Depth**
8255 mm / 27' 1"
- ➔ **Operating Weight**
54500 kg / 120,152 lb
- ➔ **Bucket Breakout**
275.0 kN / 61,822 lbf

SY500H || PRODUCT SPECIFICATIONS

DIMENSIONS



DIMENSIONS

Boom Length	7000 mm	22' 11"
Stick (Arm) Length	3900 mm	12' 9"
A Transport Length	12157 mm	39' 11"
B Transport Width	3640 mm	11' 11"
C Transport Height	3768 mm	12' 4"
D Upper Structure Width	3292 mm	10' 10"
E Cab Height	3423 mm	11' 3"
F Track Width (standard shoe)	900 mm	35"
G Track Gauge	2740 mm	8' 12"
H Ground Clearance	560 mm	22"
I Tailswing Radius	3850 mm	12' 8"
J Track Length on Ground	4412 mm	14' 6"
K Track Length	5459 mm	17' 11"

Powerful, robust and reliable powertrain and hydraulic components

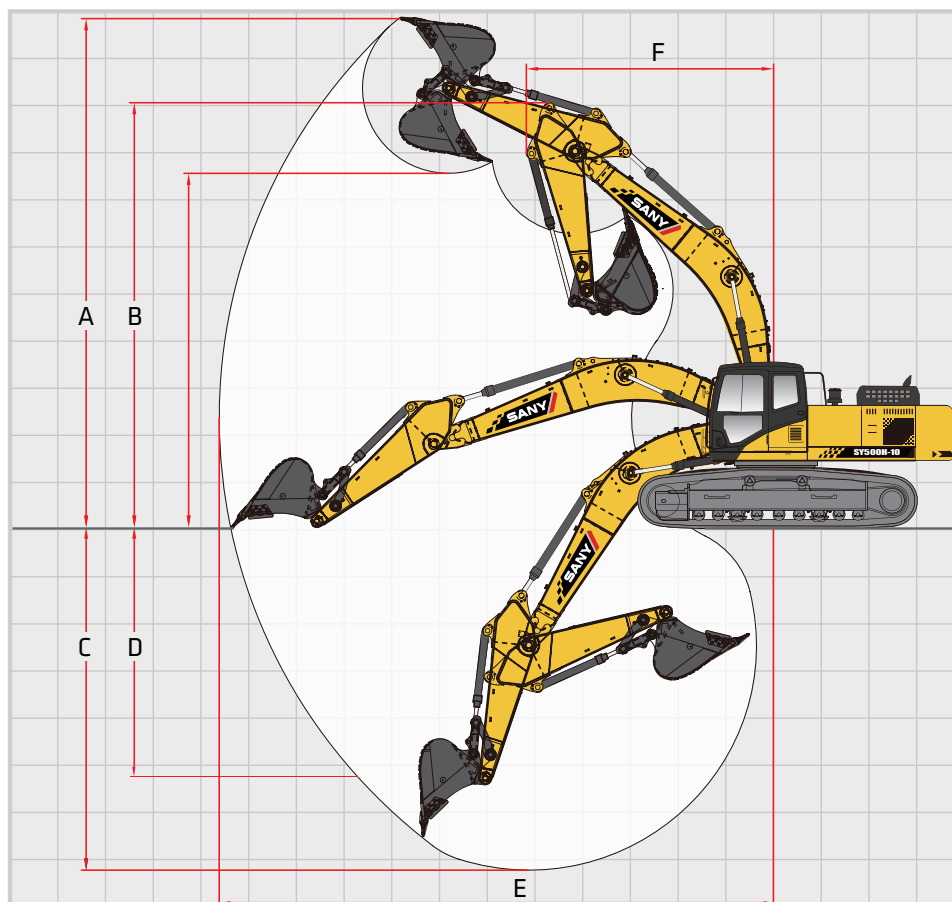
TECHNICAL SPECIFICATIONS

Operating Weight	54500 kg	120,152 lb
Ground Pressure	59.0 kPa	8.6 psi
Engine	Cummins QSG12	
Displacement	11.8 L	720.1 in ³
Gross Power	298 kW	400 HP
Hydraulics	Positive Flow Control with Pilot Control	
Main Hydraulic Pump	Axial Piston - Variable Displacement	
Operating Flow (maximum)	720.0 L/min	190.2 gal/min
Operating Pressure (maximum)	34.3 MPa	4975 psi
Power Boost Pressure (maximum)	37.3 MPa	5410 psi
Travel Motor	Axial Piston with Park Brake	
Travel Pressure (maximum)	34.3 MPa	4975 psi
Travel Speeds (maximum)	3.4 / 5.2 km/hr	2.1 / 3.2 mph
Travel Effort (maximum)	214.0 kN	48,109 lbf
Grade Capability (maximum)	35°	
Swing Motor	Axial Piston with Swing Brake	
Swing Pressure (maximum)	27.5 MPa	3989 psi
Swing Speed (maximum)	8.0 RPM	
Undercarriage (standard)	Steel Track	
Track Shoe width (standard)	900 mm	35"
Track Rollers (per side)	9	
Carrier Rollers (per side)	2	

SERVICE REFILL CAPACITIES

Fuel Tank Capacity	680.0 L	179.6 gal
DEF Tank Capacity	56.6 L	15.0 gal
Hydraulic Tank Capacity	480.0 L	126.8 gal
Engine Oil Capacity	33.0 L	8.7 gal
Cooling System Capacity	50.0 L	13.2 gal

WORKING RANGE



WORKING RANGE

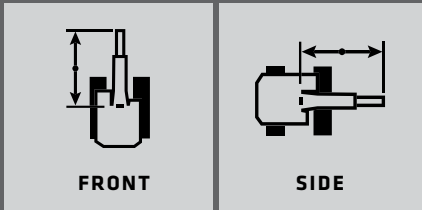
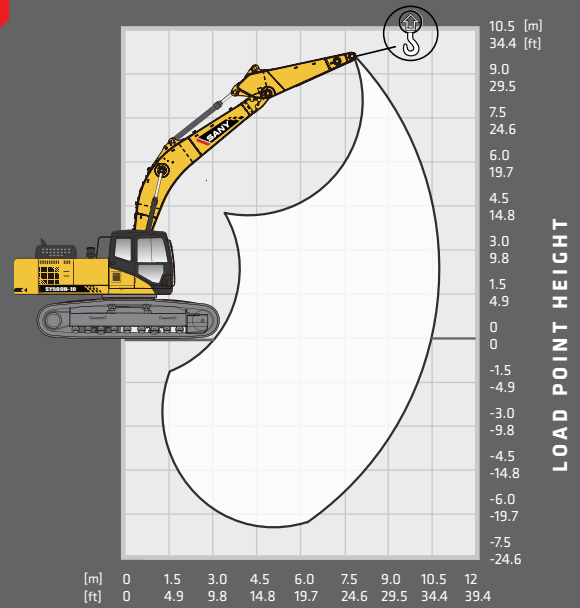
Boom Length	7000 mm	22.97 ft
Stick (Arm) Length	3900 mm	12.80 ft
A Maximum Digging Height	1112 mm	36' 5"
B Maximum Dumping Height	7843 mm	25' 9"
C Maximum Digging Depth	8255 mm	27' 1"
D Maximum Vertical Wall Digging Depth	6725 mm	22' 1"
E Maximum Reach at Ground Level	12537 mm	41' 2"
F Minimum Swing Radius	5237 mm	17' 2"

DIGGING PERFORMANCE

Boom Length	7000 mm	22.97 ft
Stick (Arm) Length	3900 mm	12.80 ft
Bucket Breakout Force (ISO)	275.0 kN	61,822 lbf
Stick (Arm) Digging Force (ISO)	207.0 kN	46,535 lbf

SY500H || LIFTING PERFORMANCE

Standard 7000 mm (22' 11") Boom
 Standard 3900 mm (12' 9") Arm
 Standard 900 mm (35") Track Shoes
 No Bucket



Ratings are based on ISO 10567:2007.
 Lift capacity does not exceed 75% of tipping load with the machine on firm, level ground or 87% of hydraulic lifting capacity.

LOAD RADIUS	3.0 m 9.8 ft		4.5 m 14.8 ft		6.0 m 19.7 ft		7.5 m 24.6 ft		9.0 m 29.5 ft		10.5 m 34.4 ft		MAX REACH	
LOAD POINT HEIGHT														
7.5 m 24.6 ft									9644 kg* 21,261 lb*	9644 kg*			8379 kg* 18,473 lb*	8379 kg* 18,473 lb*
6.0 m 19.7 ft									9839 kg* 21,691 lb*	9839 kg*			8644 kg* 19,057 lb*	8644 kg* 19,057 lb*
4.5 m 14.8 ft					13158 kg* 29,008 lb*	13158 kg* 29,008 lb*	11414 kg* 25,164 lb*	11414 kg* 25,164 lb*	10445 kg* 23,027 lb*	10445 kg*			8568 kg* 18,889 lb*	7114 kg 15,684 lb
3.0 m 9.8 ft			21580 kg* 47,576 lb*	21580 kg* 47,576 lb*	15633 kg* 34,465 lb*	15633 kg* 34,465 lb*	12804 kg* 28,228 lb*	12804 kg* 28,228 lb*	11234 kg* 24,766 lb*	8721 kg	10361 kg* 22,842 lb*	6933 kg 15,285 lb	8587 kg* 18,931 lb*	6756 kg 14,894 lb
1.5 m 4.9 ft			22035 kg* 48,579 lb*	22035 kg* 48,579 lb*	17801 kg* 39,244 lb*	14631 kg 32,256 lb	14119 kg* 31,127 lb*	10827 kg 23,869 lb	12018 kg* 26,495 lb*	8441 kg	10726 kg* 23,647 lb*	6800 kg 14,991 lb	8881 kg* 19,579 lb*	6642 kg 14,643 lb
0 m 0 ft			22390 kg* 49,362 lb*	22390 kg* 49,362 lb*	19217 kg* 42,366 lb*	14111 kg 31,109 lb	15103 kg* 33,296 lb*	10480 kg 23,104 lb	12618 kg* 27,818 lb*	8232 kg			9940 kg* 21,914 lb*	6781 kg 14,950 lb
-1.5 m -4.9 ft	15090 kg* 33,268 lb*	15090 kg* 33,268 lb*	26730 kg* 58,930 lb*	21056 kg 46,421 lb	19757 kg* 43,557 lb*	13888 kg 30,618 lb	15570 kg* 34,326 lb*	10301 kg 22,710 lb	12840 kg* 28,307 lb*	8134 kg			9940 kg* 21,914 lb*	6781 kg 14,950 lb
-3.0 m -9.8 ft	22978 kg* 50,658 lb*	22978 kg* 50,658 lb*	25642 kg* 56,531 lb*	21220 kg 46,782 lb	19380 kg* 42,726 lb*	13906 kg 30,657 lb*	15330 kg* 33,797 lb*	10301 kg 22,710 lb	12325 kg* 27,172 lb*	8197 kg			11810 kg* 26,037 lb*	7946 kg 17,518 lb
-4.5 m -14.8 ft	32040 kg* 70,636 lb*	32040 kg* 70,636 lb*	23256 kg* 51,271 lb*	23256 kg* 51,271 lb*	17844 kg* 39,339 lb*	14153 kg 31,202 lb*	13916 kg* 30,680 lb*	10522 kg 23,197 lb	12328 kg* 27,179 lb*	7668 kg			12193 kg* 26,881 lb*	9492 kg 20,926 lb
-6.0 m -19.7 ft			18743 kg* 41,321 lb*	18743 kg* 41,321 lb*	14112 kg* 31,112 lb*	14112 kg* 31,112 lb*							12207 kg* 26,912 lb*	12207 kg* 26,912 lb*

* Indicates load limited by hydraulic lifting capacity