

SY95C

PRODUCT SPECIFICATIONS



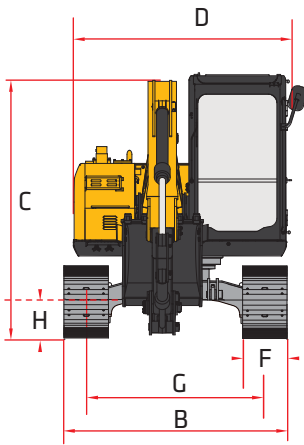
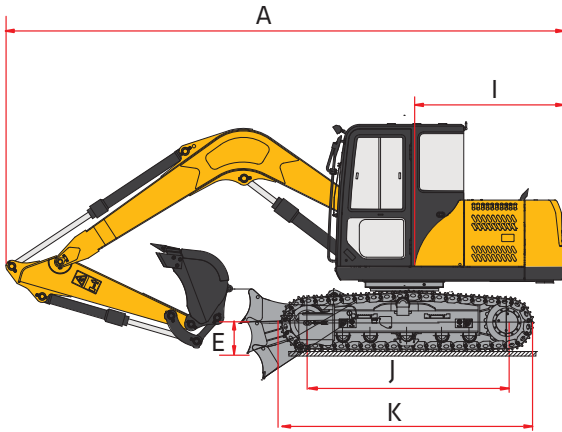
STANDARD FEATURES

- Powerful, robust and reliable powertrain & hydraulic components for long life in the most demanding applications
- Optimized load sensing hydraulics improve operating efficiency by up to 5% and fuel efficiency by up to 10%

- ➔ **Gross Power**
53.7 kW / 72.0 HP
- ➔ **Dig Depth**
4330 mm / 14' 2"
- ➔ **Operating Weight**
9180 kg / 20,238 lb
- ➔ **Bucket Breakout**
63.6 kN / 14,298 lbf

SY95C || PRODUCT SPECIFICATIONS

DIMENSIONS



DIMENSIONS

| | | |
|-------------------------------|---------|--------|
| Boom Length | 4000 mm | 13' 1" |
| Stick (Arm) Length | 2000 mm | 6' 7" |
| A Transport Length | 6560 mm | 21' 6" |
| B Transport Width | 2260 mm | 7' 5" |
| C Transport Height | 3200 mm | 10' 6" |
| D Upper Structure Width | 2160 mm | 7' 1" |
| E Blade Height | 420 mm | 17" |
| F Track Width (standard shoe) | 450 mm | 18" |
| G Track Gauge | 1810 mm | 5' 11" |
| H Ground Clearance (minimum) | 360 mm | 14" |
| I Tail Swing Radius | 1885 mm | 6' 2" |
| J Track Length on Ground | 2340 mm | 7' 8" |
| K Track Length | 2980 mm | 9' 9" |

Powerful, robust and reliable powertrain and hydraulic components

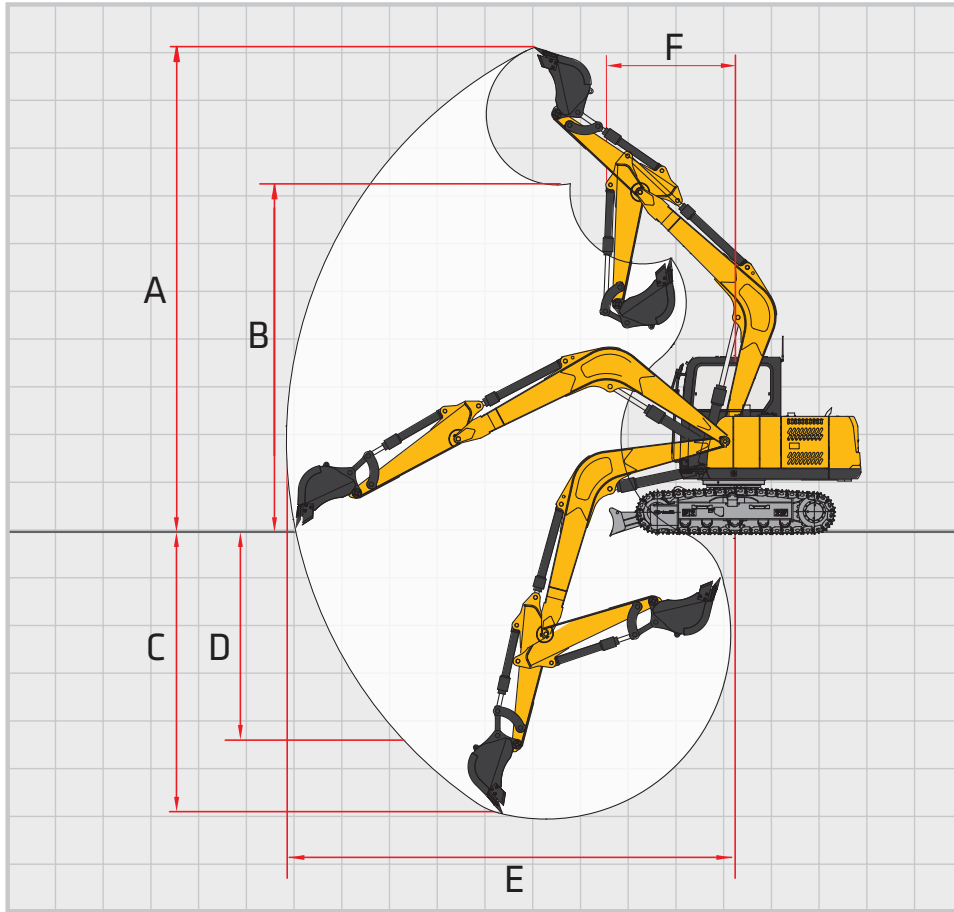
TECHNICAL SPECIFICATIONS

| | | |
|---------------------------------|--------------------------------------|-----------------------|
| Operating Weight | 9180 kg | 20,238 lb |
| Ground Pressure | 38.6 kPa | 5.6 psi |
| Engine | Yanmar 4TN98CT-VSY | |
| Displacement | 3.3 L | 201.4 in ³ |
| Gross Power | 53.7 kW | 72.0 HP |
| Hydraulics | Load Sensing with Pilot Control | |
| Main Hydraulic Pump | Axial Piston - Variable Displacement | |
| Operating Flow (maximum) | 199.5 L/min | 52.7 gal/min |
| Operating Pressure (maximum) | 26.3 MPa | 3814 psi |
| Travel Motor | Axial Piston with Park Brake | |
| Travel Pressure (maximum) | 26.3 MPa | 3814 psi |
| Travel Speeds (maximum) | 2.9 / 5.0 km/hr | 1.8 / 3.1 mph |
| Travel Effort (maximum) | 83.0 kN | 18,659 lbf |
| Grade Capability (maximum) | 35° | |
| Swing Motor | Axial Piston with Swing Brake | |
| Swing Pressure (maximum) | 21.5 MPa | 3118 psi |
| Swing Speed (maximum) | 11 RPM | |
| Undercarriage (standard) | Steel Track | |
| Track Shoe width (standard) | 450 mm | 18" |
| Track Rollers (per side) | 5 | |
| Carrier Rollers (per side) | 1 | |

SERVICE REFILL CAPACITIES

| | | |
|-------------------------|---------|----------|
| Fuel Tank Capacity | 160.0 L | 42.3 gal |
| Hydraulic Tank Capacity | 120.0 L | 31.7 gal |
| Engine Oil Capacity | 10.0 L | 2.6 gal |
| Cooling System Capacity | 12.0 L | 3.2 gal |

WORKING RANGE



WORKING RANGE

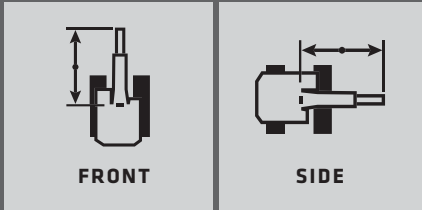
| | | |
|---------------------------------------|---------|---------|
| Boom Length | 4000 mm | 13' 1" |
| Stick (Arm) Length | 2000 mm | 6' 7" |
| A Maximum Digging Height | 7260 mm | 23' 10" |
| B Maximum Dumping Height | 5210 mm | 17' 1" |
| C Maximum Digging Depth | 4330 mm | 14' 2" |
| D Maximum Vertical Wall Digging Depth | 3080 mm | 10' 1" |
| E Maximum Reach at Ground Level | 6660 mm | 21' 10" |
| F Minimum Swing Radius | 1990 mm | 6' 6" |

DIGGING PERFORMANCE

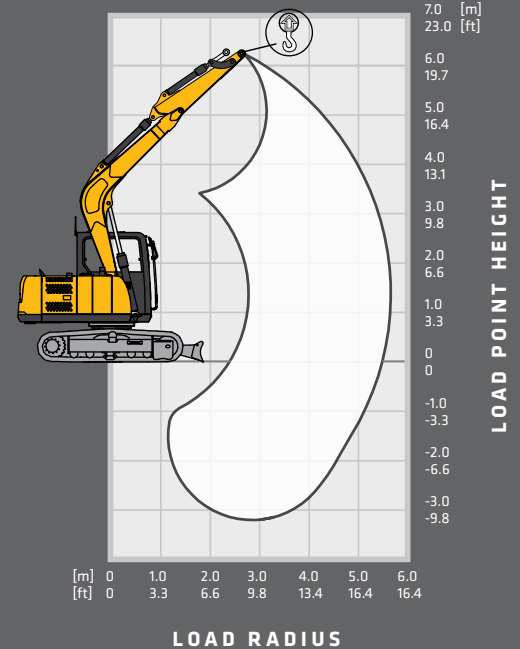
| | | |
|---------------------------------|---------|------------|
| Boom Length | 4000 mm | 13' 1" |
| Stick (Arm) Length | 2000 mm | 6' 7" |
| Bucket Breakout Force (ISO) | 63.6 kN | 14,298 lbf |
| Stick (Arm) Digging Force (ISO) | 46.8 kN | 10,521 lbf |

SY95C || LIFTING PERFORMANCE

Standard 4000 mm (13'1") Boom
 Standard 2000 mm (6'7") Arm
 Standard 450 mm (18") Track Shoes
 No Bucket



Ratings are based on ISO 10567:2007.
 Lift capacity does not exceed 75% of tipping load with the machine on firm, level ground or 87% of hydraulic lifting capacity.



BLADE DOWN

| LOAD RADIUS | 2.0 m 6.6 ft | | 3.0 m 9.8 ft | | 4.0 m 13.1 ft | | 5.0 m 16.4 ft | | MAX REACH | |
|-------------------|------------------------|------------------------|-----------------------|-----------------------|-----------------------|---------------------|-----------------------|---------------------|-----------------------|---------------------|
| LOAD POINT HEIGHT | | | | | | | | | | |
| 5.0 m 15.4 ft | | | | | 2200 kg* 4,850 lb* | 2000 kg 4,409 lb | | | 2250 kg* 4,960 lb* | 2000 kg 4,409 lb |
| 4.0 m 13.1 ft | | | 2400 kg* 5,291 lb* | 2400 kg* 5,291 lb* | 2200 kg* 4,850 lb* | 2000 kg 4,409 lb | | | 2200 kg* 4,850 lb* | 1950 kg 4,299 lb |
| 3.0 m 9.8 ft | | | 2900 kg* 6,393 lb* | 2900 kg* 6,393 lb* | 2450 kg* 5,401 lb* | 1950 kg 4,299 lb | 2250 kg* 4,960 lb* | 1350 kg 2,976 lb | 2200 kg* 4,850 lb* | 1550 kg 3,417 lb |
| 2.0 m 6.6 ft | | | 3600 kg* 7,937 lb* | 3000 kg 6,614 lb | 2750 kg* 6,063 lb* | 1850 kg 4,079 lb | 2350 kg* 5,181 lb* | 1350 kg 2,976 lb | 2250 kg* 4,960 lb* | 1400 kg 3,086 lb |
| 1.0 m 3.3 ft | | | 4100 kg* 9,039 lb* | 2800 kg 6,173 lb | 3050 kg* 6,724 lb* | 1750 kg 3,858 lb | 2500 kg* 5,512 lb* | 1300 kg 2,866 lb | 2300 kg* 5,070 lb* | 1300 kg 2,866 lb |
| 0 m 0 ft | | | 4300 kg* 9,480 lb* | 2750 kg 6,063 lb | 3200 kg* 7,055 lb* | 1700 kg 3,748 lb | 2550 kg* 5,622 lb* | 1250 kg 2,756 lb | 2400 kg* 5,291 lb* | 1350 kg 2,976 lb |
| -1.0 m -3.3 ft | 5800 kg* 12,787 lb* | 5450 kg 12,015 lb | 4150 kg* 9,149 lb* | 2700 kg 5,952 lb | 3200 kg* 7,055 lb* | 1650 kg 3,638 lb | | | 2450 kg* 5,401 lb* | 1550 kg 3,417 lb |
| -2.0 m -6.6 ft | 5100 kg* 11,244 lb* | 5100 kg* 11,244 lb* | 3700 kg* 8,157 lb* | 2750 kg 6,063 lb | 2800 kg* 6,173 lb* | 1700 kg 3,748 lb | | | 2500 kg* 5,511 lb* | 2050 kg 4,519 lb |
| -3.0 m -9.8 ft | 3800 kg* 8,378 lb* | 3800 kg* 8,378 lb* | 2650 kg* 5,842 lb* | 2650 kg* 5,842 lb* | | | | | 2700 kg* 5,952 lb* | 2600 kg 5,732 lb |

* Indicates load limited by hydraulic lifting capacity

BLADE UP

| LOAD RADIUS | 2.0 m 6.6 ft | | 3.0 m 9.8 ft | | 4.0 m 13.1 ft | | 5.0 m 16.4 ft | | MAX REACH | |
|-------------------|------------------------|------------------------|-----------------------|-----------------------|-----------------------|---------------------|-----------------------|---------------------|-----------------------|---------------------|
| LOAD POINT HEIGHT | | | | | | | | | | |
| 5.0 m 15.4 ft | | | | | 2200 kg* 4,850 lb* | 2000 kg 4,409 lb | | | 2050 kg 4,519 lb | 2000 kg 4,409 lb |
| 4.0 m 13.1 ft | | | 2400 kg* 5,291 lb* | 2400 kg* 5,291 lb* | 2200 kg* 4,850 lb* | 2000 kg 4,409 lb | | | 2000 kg 4,409 lb | 1950 kg 4,299 lb |
| 3.0 m 9.8 ft | | | 3000 kg* 6,614 lb* | 3000 kg* 6,614 lb* | 2450 kg* 5,401 lb* | 1900 kg 4,189 lb | 2250 kg* 4,960 lb* | 1350 kg 2,976 lb | 1600 kg 3,257 lb | 1550 kg 3,417 lb |
| 2.0 m 6.6 ft | | | 3600 kg* 7,937 lb* | 2800 kg 6,173 lb | 2750 kg* 6,063 lb* | 1800 kg 3,968 lb | 2350 kg* 5,181 lb* | 1300 kg 2,866 lb | 1400 kg 3,086 lb | 1400 kg 3,086 lb |
| 1.0 m 3.3 ft | | | 4100 kg* 9,039 lb* | 2600 kg 5,732 lb | 3050 kg* 6,724 lb* | 1750 kg 3,858 lb | 2500 kg* 5,512 lb* | 1250 kg 2,756 lb | 1350 kg 2,976 lb | 1300 kg 2,866 lb |
| 0 m 0 ft | | | 4300 kg* 9,480 lb* | 2500 kg 5,512 lb | 3200 kg* 7,055 lb* | 1650 kg 3,638 lb | 2550 kg* 5,622 lb* | 1200 kg 2,646 lb | 1400 kg 3,086 lb | 1350 kg 2,976 lb |
| -1.0 m -3.3 ft | 5800 kg* 12,787 lb* | 5200 kg 11,464 lb | 4150 kg* 9,149 lb* | 2500 kg 5,512 lb | 3150 kg* 6,945 lb* | 1650 kg 3,638 lb | | | 1600 kg 3,257 lb | 1550 kg 3,417 lb |
| -2.0 m -6.6 ft | 5100 kg* 11,244 lb* | 5100 kg* 11,244 lb* | 3700 kg* 8,157 lb* | 2500 kg 5,512 lb | 2750 kg* 6,063 lb* | 1650 kg 3,638 lb | | | 2100 kg 4,269 lb | 2050 kg 4,519 lb |
| -3.0 m -9.8 ft | 3800 kg* 8,378 lb* | 3800 kg* 8,378 lb* | 2650 kg* 5,842 lb* | 2650 kg* 5,842 lb* | | | | | 2700 kg* 5,952 lb* | 2600 kg 5,732 lb |

* Indicates load limited by hydraulic lifting capacity